

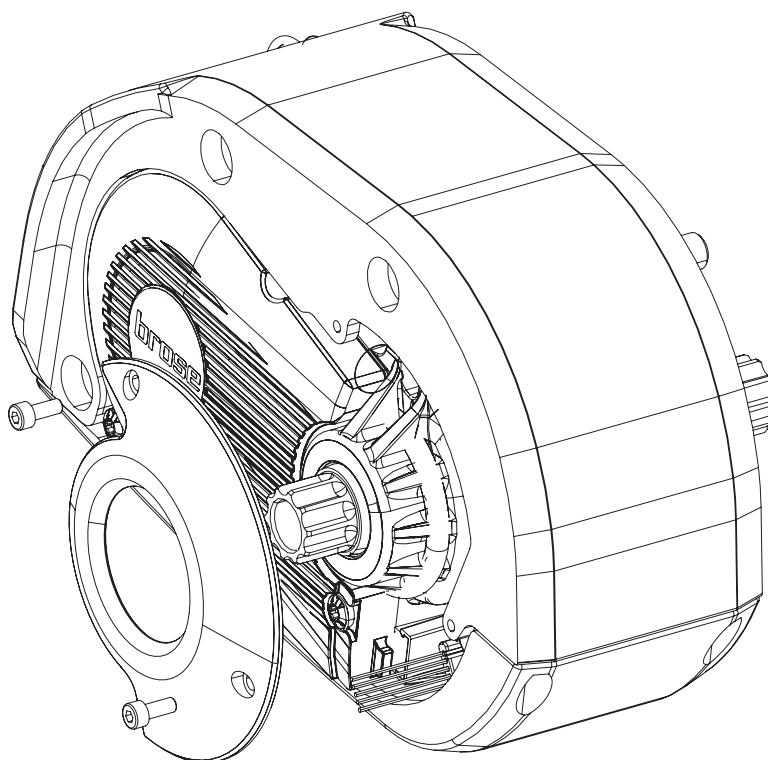
DESIGNCOVER CXBE 3.0

Assembly instruction

As at 03.07.2019



Designcover left



Parts included

- * 1pc CXBE 3.0 cover, left, PC ABS
- * 2 pcs M4x10 bolts, TRX20, A2

Note

- * Tightning torque 1 Nm
- * Apply several drops of threadlocker blue on the threads
- * Compatible with Brose Drive Mag vertical